

Swing Check Valves




MICROFINISH VALVES

Quality you can trust.

Swing Check Valve

The Microfinish SCV2000 series, API 6D Swing Check Valve is a rugged piece of piping equipment, designed for use in systems where protection against reverse flow is required. The SCV2000 is a full port design which is optimally designed for use in severe corrosive application such as salt water disposal, CO2 enhanced oil recovery, water desalination plant, and other isolation applications in the process industry.

In the standard operation condition the SCV2000 demonstrates extremely high flow capacity and minimum pressure drop. The SCV2000 is designed for horizontal or vertical installation on pumps, boosters, and filtration systems, providing a quiet closure in the closed condition, and bubble tight sealing capabilities.



Factory certification:	ISO 9001-2015 Quality management system
Valve design and tests:	ANSI B16.34; API 6D; BS 1868; EN12266 -1
Flange design:	ANSI B16.5
Face-to-Face dimension:	ASME B16.10

Main Features

- Reliable operation
- Maintenance free
- Stainless steel material of construction
- High flow capability

The SCV2000 valve is designed for use in system where protection against in-line reverse flow is required.

The force of the stream swings the disc out of the flow path, allowing the fluid to pass through the valve with minimal pressure drop. Once the direction of flow is reversed, the disc weight, along with the force of the reversed flow, will cause the disc to swing into the flow path, and force it to seal tightly against the seat.

The length of the SCV2000 is designed to allow installation in small and narrow systems, between two flanges of short spacing.

Our Range

Size: DN50 – DN300, NPS 2 – 12

Pressure range: Class 150, 300, 600, 900, 1500

Temperature range: - 40°C / - 40°F and up to 425°C / 800°F



Swing Check Valve

SC84, SC85 Series

Full bore, flanged class 150 / 300

NPS 2-12, DN50 - DN300

Dimensional Data

SC84 SERIES - CLASS 150, FULL PORT, FLANGED										
Valve size (DN/NPS)	A	B	C	ØD	ØF	T	PCD	HOLE Ø	No. of Holes	Weight (Kg/lb.)
DN50	49	203	135	152	92	16	121	19	4	12
2	1.94	8.00	5.31	6.00	3.62	0.62	4.75	0.75		26
DN80	75	241	176	191	127	19	152	19	4	25
3	2.94	9.50	6.93	7.50	5.00	0.75	6.00	6.00		55
DN100	100	292	230	229	157	24	191	19	8	41
4	3.94	11.50	9.05	9.00	6.19	0.94	7.50	0.75		90
DN150	151	356	256	279	216	25	241	22	8	76
6	5.94	14.00	10.07	11.00	8.50	1.00	9.50	0.88		168
DN200	202	495	316	343	270	28	298	22	8	115
8	7.94	19.50	12.24	13.50	10.62	1.12	11.75	0.88		253
DN250	252	622	363	406	324	30	362	25	12	210
10	9.94	24.50	14.29	16.00	12.75	1.18	14.25	1.00		463
DN300	303	699	415	483	381	32	432	25	12	325
12	11.94	27.50	16.33	19.00	15.00	1.25	17.00	1.00		716

SC85 SERIES - CLASS 300, FULL PORT, FLANGED										
Valve size (DN/NPS)	A	B	C	ØD	ØF	T	PCD	HOLE Ø	No. of Holes	Weight (Kg/lb.)
DN50	49	267	135	165	92	22	127	19	8	12
2	1.94	10.50	5.31	6.50	3.62	0.87	5.00	0.75		26
DN80	75	318	176	210	127	28	168	22	8	36
3	2.94	12.50	6.93	8.25	5.00	1.12	6.62	0.88		79
DN100	100	356	230	254	157	32	200	22	8	58
4	3.94	14.00	9.05	10.00	6.19	1.25	7.88	0.88		128
DN150	151	445	256	318	216	37	270	22	12	115
6	5.94	14.00	10.07	11.00	8.50	1.00	9.50	0.88		254
DN200	202	533	316	381	270	41	330	25	12	167
8	7.94	21.00	12.24	15.00	10.62	1.62	13.00	1.00		368
DN250	252	622	363	445	324	47	387	29	16	292
10	9.94	24.50	14.29	17.50	12.75	1.87	15.25	1.13		643
DN300	303	711	415	521	381	51	451	32	16	470
12	11.94	28.00	16.33	20.50	15.00	2.00	17.75	1.25		1036

Swing Check Valve

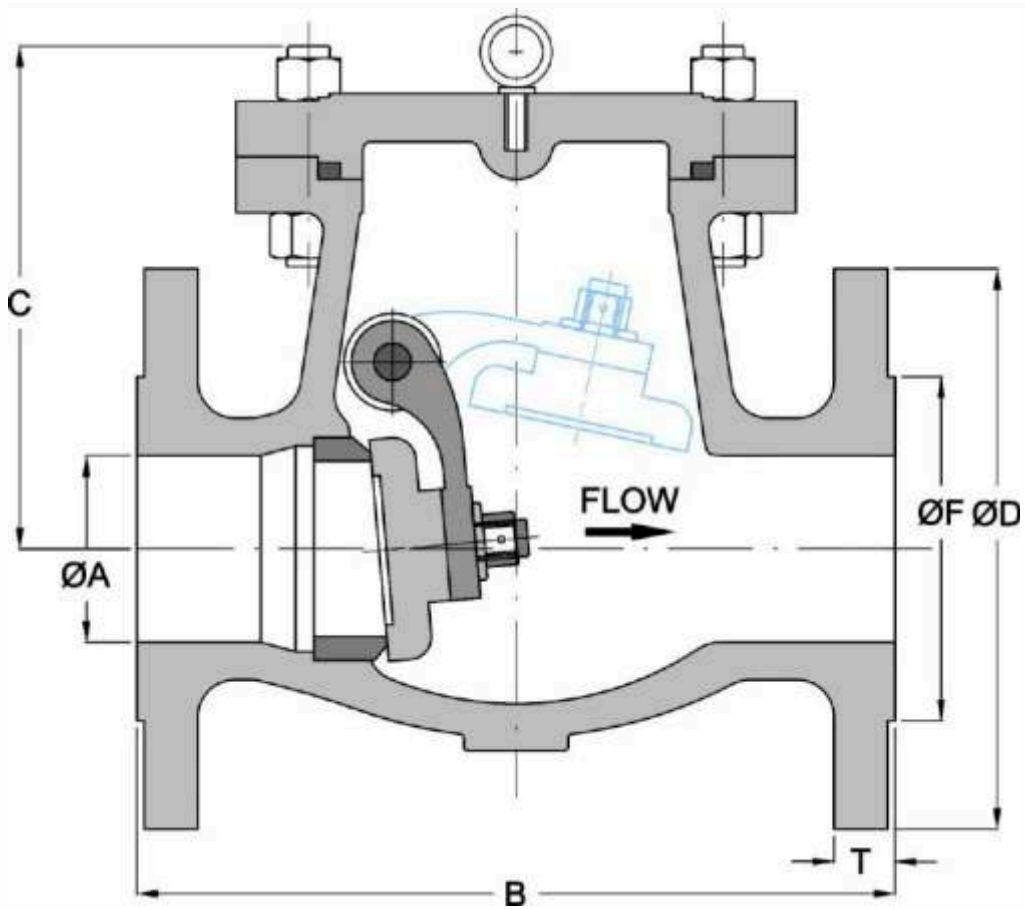
SC87 Series

Full bore, flanged class 600

NPS 2-12, DN50 - DN300

Dimensional Data

SC87 SERIES - CLASS 600, FULL PORT, FLANGED										
Valve size (DN/NPS)	A	B	C	ØD	ØF	T	PCD	HOLE Ø	No. of Holes	Weight (Kg/lb.)
DN50	49	292	135	165	92	25	127	19	8	12
2	1.94	11.50	5.31	6.50	3.62	1.00	5.00	0.75		28
DN80	75	356	176	210	127	32	168	22	8	39
3	2.94	14.00	6.93	8.25	5.00	1.25	6.62	0.88		85
DN100	100	432	230	273	157	38	216	25	8	73
4	3.94	17.00	9.05	10.75	6.19	1.50	8.50	1.00		160
DN150	151	559	256	356	216	48	292	29	12	139
6	5.94	22.00	10.07	14.00	8.50	1.88	11.50	1.13		306
DN200	202	660	316	719	270	56	349	32	12	242
8	7.94	26.00	12.24	16.50	10.62	2.19	13.74	1.25		533
DN250	252	787	363	838	324	64	432	35	16	372
10	9.94	31.00	14.29	20.00	12.75	2.50	17.00	1.38		820
DN300	303	838	415	914	381	67	489	35	20	570
12	11.94	33.00	16.33	22.00	15.00	2.62	19.25	1.38		1256



Swing Check Valve

SC89, SC90 Series

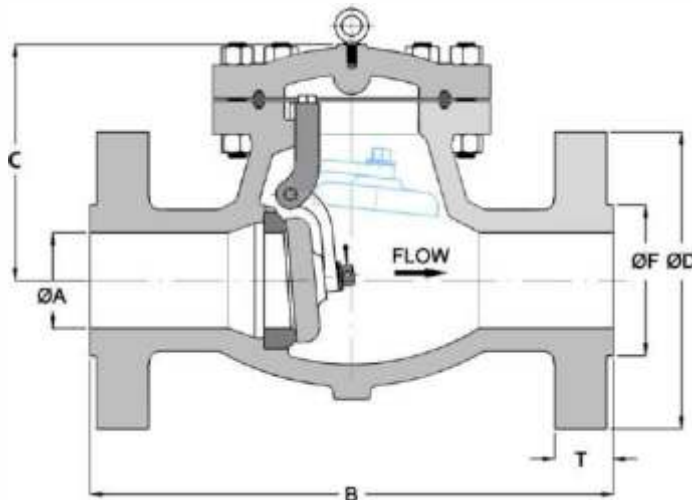
Full bore, flanged class 900 / 1500

NPS 2-12, DN50 - DN300

Dimensional Data

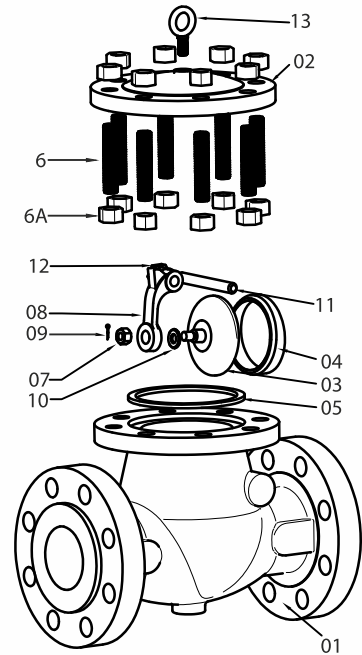
SC89 SERIES - CLASS 300, FULL PORT, FLANGED										
Valve size (DN/NPS)	A	B	C	ØD	ØF	T	PCD	HOLE Ø	No. of Holes	Weight (Kg/lb.)
DN50	49	368	195	215	92	45	165	25	8	17
2	1.94	14.49	7.68	8.46	3.63	1.77	6.50	1.00		37
DN80	75	381	225	240	127	45	191	25	8	50
3	2.94	15.00	8.86	9.45	5.00	1.77	7.50	1.00		110
DN100	100	457	275	290	157	52	235	32	8	94
4	3.94	17.99	10.83	11.42	6.18	2.03	9.25	1.25		207
DN150	151	610	360	380	216	63	318	32	12	175
6	5.94	24.02	14.17	14.96	8.50	2.46	12.50	1.25		386
DN200	202	737	455	470	270	71	394	38	12	310
8	7.95	29.02	17.91	18.50	10.63	2.78	15.51	1.50		683
DN250	252	838	550	545	324	77	470	38	16	482
10	9.92	32.99	21.65	21.46	12.76	3.03	18.50	1.50		1062
DN300	303	965	625	381	381	86	533	38	20	760
12	11.94	37.99	24.61	15.00	15.00	3.40	20.98	1.50		1675

SC90 SERIES - CLASS 1500, FULL PORT, FLANGED										
Valve size (DN/NPS)	A	B	C	ØD	ØF	T	PCD	HOLE Ø	No. of Holes	Weight (Kg/lb.)
DN50	49	368	195	215	92	45	165	25	8	25
2	1.93	14.49	7.68	8.46	3.63	1.77	6.50	1.00		55
DN80	75	470	240	265	127	55	203	32	8	77
3	2.95	18.50	9.45	10.43	5.00	2.17	7.99	1.25		170
DN100	100	546	285	310	157	61	241	35	8	145
4	3.94	21.50	11.22	12.20	6.18	2.40	9.49	1.38		320
DN150	151	705	395	395	216	90	318	38	12	278
6	5.94	27.76	15.55	15.55	8.50	3.54	12.50	1.50		612
DN200	202	832	485	485	270	99	394	45	12	484
8	7.95	32.76	19.00	19.09	10.63	3.90	15.51	1.75		1066
DN250	252	991	590	585	324	115	483	51	12	744
10	9.92	39.02	23.23	23.03	12.76	4.53	19.02	2.01		1640
DN300	303	1130	680	675	381	131	572	54	16	1140
12	11.93	44.49	26.77	26.57	15.00	5.16	22.50	2.13		2512



Material of Construction

Item No.	Part Description	Material Specification
1	Body	ASTM A216 WCB, ASTM A351 Gr CF8, CF8M
2	Cover	ASTM A216 WCB, ASTM A351 Gr CF8, CF8M
3	Disc	ASTM A216 WCB, ASTM A351 Gr CF8, CF8M
4	Seat ring	ASTM A216 WCB, ASTM A351 Gr CF8, CF8M
5	Gasket	SWG SS316 + Grafoil
6	Stud	ASTM A193 Gr. B7M, B8M
6A	Nut	ASTM A194 Gr. 2HM, 8M
7	Disc nut	SS 410, SS 304, SS 316
8	Hinge	ASTM A216 WCB, ASTM A351 Gr CF8, CF8M
9	Disc split pin	SS 410, SS 304, SS 316
10	Disc washer	SS 410, SS 304, SS 316
11	Hinge pin	SS 410, SS 304, SS 316
12	Pipe plug	SS 410, SS 304, SS 316
13	Lifting eye bolt	C.St., S.St.



Build your swing check valve code

SC2" DN50 W87F-44G-R

SC	2" DN30	W	87	F	4	4	G	R
Type	Size	Model	Class	Port	Body cover	Disc	Body cover	End conn.
TYPE			CLASS			DISC		
SC	SCV2000		84	#150		1	WCB + 13% Cr. Overlay	
			85	#300		4	CF8M + STL	
SIZE			PORT			BODY SEAL		
	2"-12"DN50-DN300		87	#600		G	SWG SS316+Grafoil	
			89	#900		END CONNECTION		
MODEL			BODY / COVER			R	RF Flange	
W	Internal shaft		90	#1500		S	Flat face flange	
						T	RTJ Flange	



SALES OFFICES

BRANCHES	TELEPHONE NO.	E-MAIL ID
AHMEDABAD	09327732402	salesahmedabad@microfinishgroup.com
BARODA	0265 - 2987701 / 9574001348	salesbaroda@microfinishgroup.com
BENGALURU	080 - 29775863 / 23233999	salesbangalore@microfinishgroup.com
CHENNAI	044 - 45576723 / 7871990001	saleschennai@microfinishgroup.com
DELHI	0120 - 2510145 / 4258700 / 7065002286	salesdelhi@microfinishgroup.com
HYDERABAD	040 - 40273832 / 7997102345	saleshyd@microfinishgroup.com
INDORE	09329306090	salesindore@microfinishgroup.com
KANPUR	09305509600	saleskanpur@microfinishgroup.com
KOLKATA	033 - 24292085 / 7890018820	saleskolkata@microfinishgroup.com
MUMBAI	022 - 25008254 / 25006862	salesbom@microfinishgroup.com
PUNE	020 - 25448989 / 25468989	salespune@microfinishgroup.com



India

Microfinish Valves Pvt. Ltd.

B 161-162, Industrial Estate, Gokul Road,
Hubballi - 580030, Karnataka, India.

Tel: 91.836.2212404

Fax: 91.836.2331438

sales@microfinishgroup.com

www.microfinishgroup.com

Americas

Microfinish Valves, Inc.

7807 Bluff Point Drive, Suite 190
Houston, Texas 77086

Tel: 281.885.4250

Fax: 281.866.0996

sales@microfinishvalvesinc.com

www.microfinishvalvesinc.com